



Equipment for the Foodservice Industry
value + quality + service

Industrial Bone Saw (80" Blade)

SA-BS80



SA-BS80

Features

Features:

- Cast aluminum body
- Stainless steel table
- High carbon steel blade
- 8" maximum cutting thickness
- 1400 rotations per minute
- 80" long saw blade
- Blade tension knob
- Best suited for light-medium applications

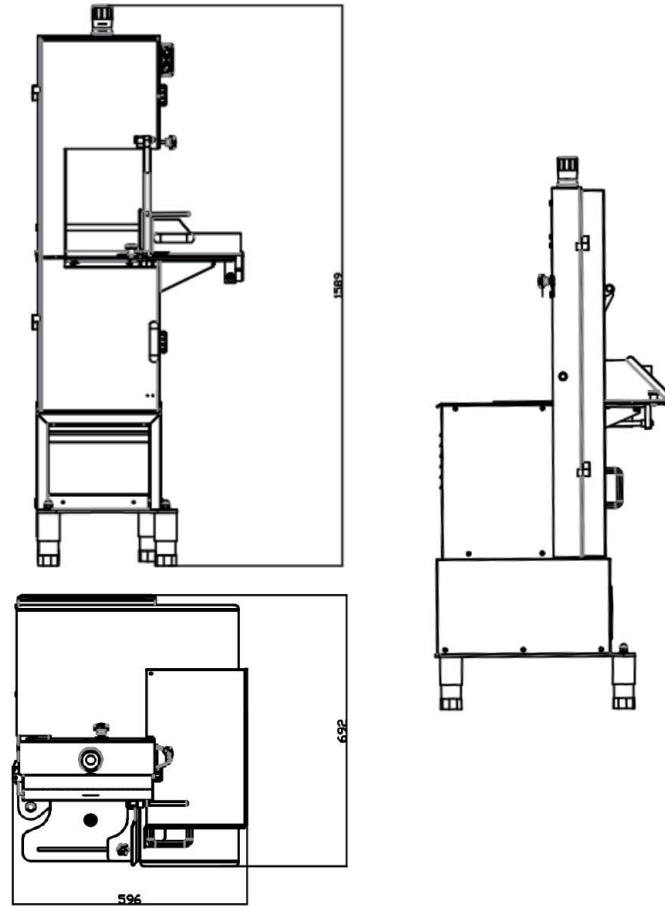
Warranty

- 1 year parts and labour



SA-BS80

Specifications



Model	Dimension (mm) (inch)			Blade Length (mm) (inch)	Table Dimensions (mm) (inch)		Voltage	Amps	Net Weight (KG) (LBS)
	W	D	H		W	D			
SA-BS80	596	692	1589	2020	565	668	120/60	6.5	120.4
	23.5	27.2	62.6	80	18.3	17.3			265.4

Equipped with one NEMA 5-15P plug 

Shipping Information

Crate Dimensions (mm) (inch)			Net Weight (KG) (LBS)	Gross Weight (KG) (LBS)
W	D	H		
670	745	1600	120.4	154.6
26.4	29.3	63	265.4	340.8

Specifications subject to change without notice.