



Equipment for the Foodservice Industry
value + quality + service

Cube Ice Dispenser - Dispenser Only

Model No:
IM-130-ID



IM-130-ID

Features

Features:

- Floor model ice dispenser
- Push lever ice dispensing
- Ideal for filling buckets or glasses
- Built-in agitator optimizes ice dispensing
- Corrosion resistant exterior
- Adjustable leveling legs
- Ice dispenser can work with IM-350H machine head

Warranty:

- One year parts and labour. *For full warranty details visit <https://www.efifoodequip.com/warranty-info.php>*

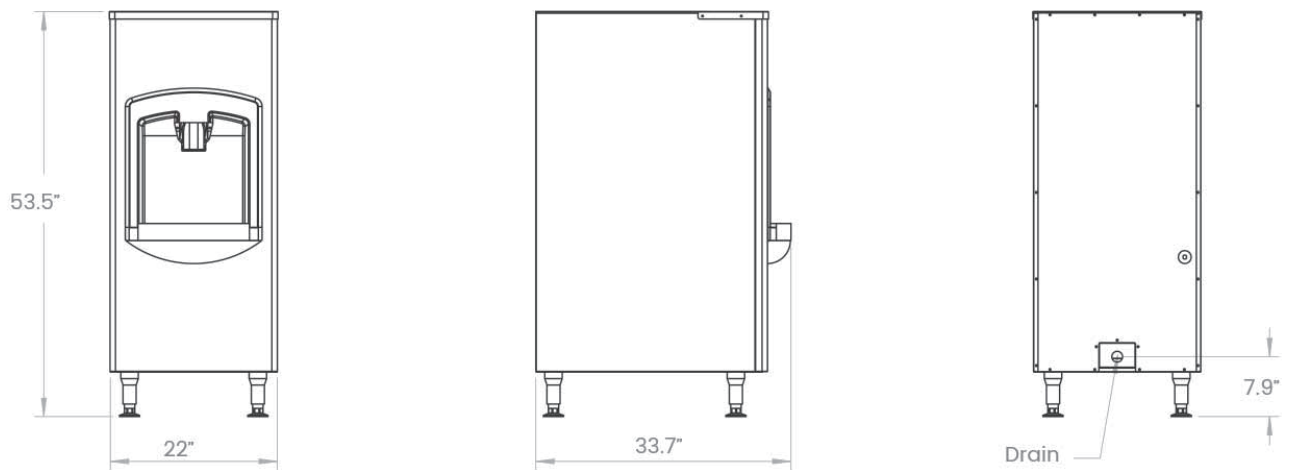


IM-130-ID

Specifications

Cube Ice Dispenser Only

130 Pounds Ice Storage Capacity



Model	Refrigerant	Dimension			Condenser Unit	Voltage (V/Hz)	Power (W)	Bin Capacity (kg) (lb)	Net Weight (kg) (lb)
		(mm) W	(mm) D	(inch) H					
IM-130-ID	R290	560	855	1359	Air	115/60	210	60	77
		22	33.7	53.5				130	170

Specifications subject to change without notice.