



Equipment for the Foodservice Industry
value + quality + service

Glass Froster - 1 Sliding Door

FGF-25-VCX



FGF-25-VCX

Features

Features:

- Durable stainless steel top, interior walls, floor and ceiling
- Corrosion resistant vinyl exterior in black finish
- Adjustable coated wire steel shelves
- Electronic control system makes it easy for temperature set point and defrost frequency
- Easily accessible condenser coil for cleaning, and easy service access

- Eco-friendly R-290 refrigerant system

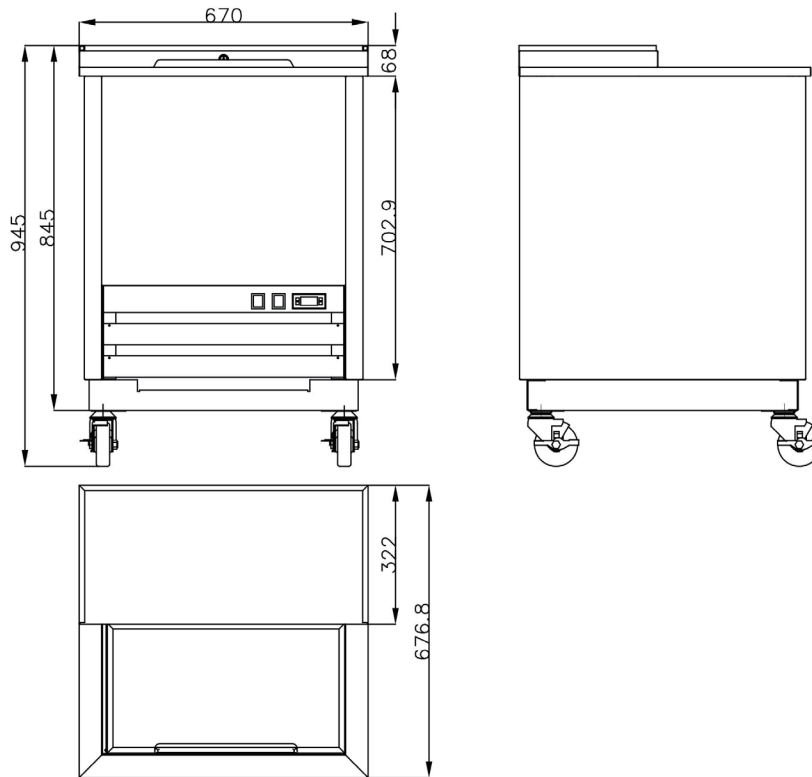
Warranty:

- Two year parts and labour; Five years on compressor. *For full warranty details visit <https://www.efifoodequip.com/warranty-info.php>*



FGF-25-VCX

Specifications



Model	Sliding Door	Dimension (mm) (inch)			HP	Voltage	Amps	Capacity		Net Weight (KG) (LBS)	Temperature Range
		L	D	H				8" (204mm) Mugs	10oz Steins		
FGF-25-VCX	1	670	677	869	1/5	115/60/1	2.04	90	85	58	-20 ~ -16°C
		26.4	26.7	34.2						128	-5 ~ 2°F

Equipped with one NEMA 5-15P plug 

Shipping Information

Crate Dimensions (mm) (inch)			Net Weight (KG) (LBS)	Gross Weight (KG) (LBS)
L	D	H		
770	790	1060	58	72
30.3	31.1	41.7	128	159

Specifications subject to change without notice.