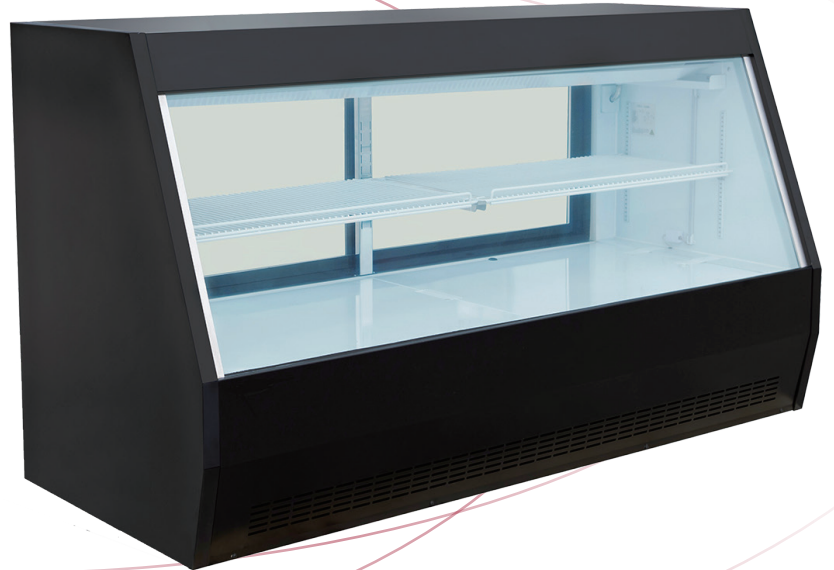




Equipment for the Foodservice Industry
value + quality + service

Refrigerated Deli Cases - Straight Glass

CDS-2000B



CDS-2000B

Features

Features:

- Straight double glazed safety glass with Low-E film inside of glass
- CABINET CONSTRUCTION
 - Exterior - black coated steel
 - Interior - coated metal
- Refrigeration system: gravity coil
- R290 refrigeration system provides high humidity environment for exceptional preservation of meats and deli products.
- Refrigeration system holds 32°F to 43°F (0°C to 6°C).
- Electronic control system: adjustable temperature set point and defrost frequency
- Error codes to diagnose service issues
- Adjustable, heavy duty PVC coated shelves
- Standard casters
- Easily accessible condenser coil for cleaning, and easy service access
- LED illumination

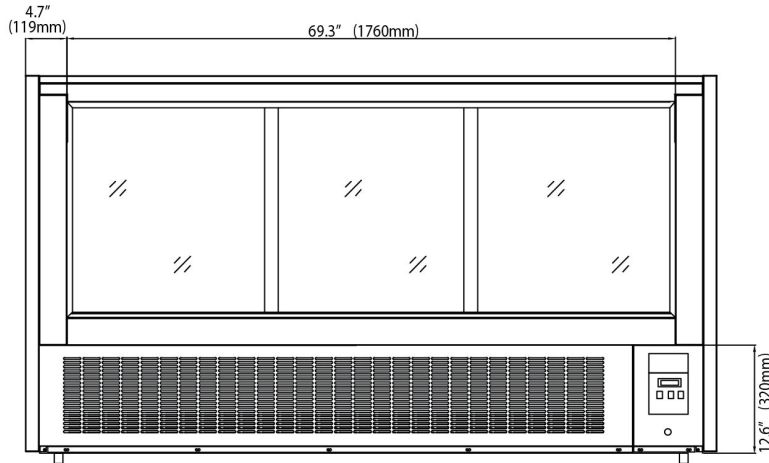
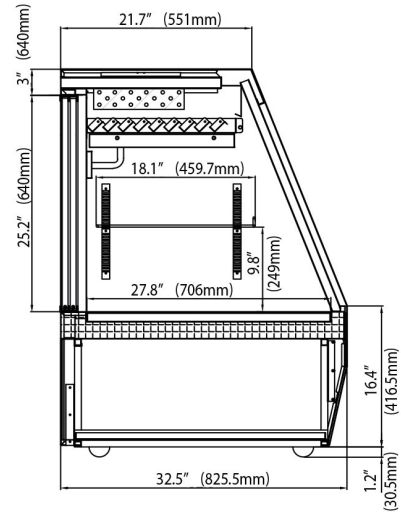
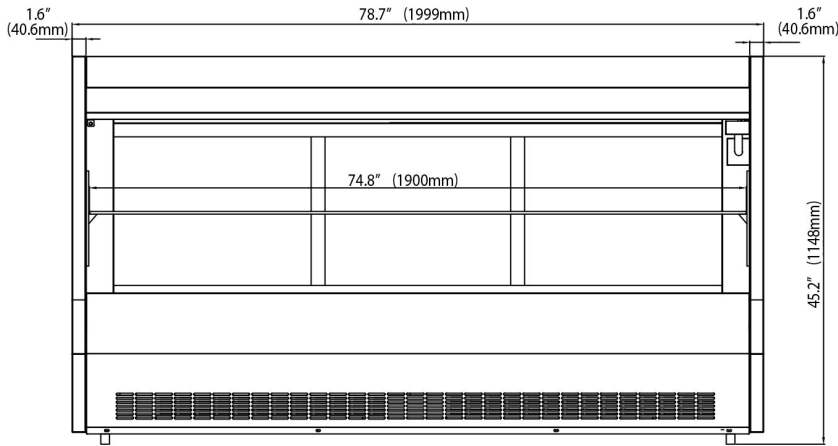
Warranty:


- Two year parts and labour; Five years on compressor. For full warranty details visit <https://www.efifoodequip.com/warranty-info.php>



CDS-2000B

Specifications



Model	Doors	Shelves	Cabinet Dimensions (inches) (mm)			Capacity (L) (Cu Ft.)	HP	Voltage	Amps	Net Weight (KG) (LBS)	NEMA Config.
			L	D	H						
CDS-2000B	2	1	78.7 1999	32.5 825.5	45.2 1148	903 32	1/2	110/60	6	286 630	5-15P 

Specifications subject to change without notice.