

Wall Shelves

Stainless Steel with Bullnose Front Edge

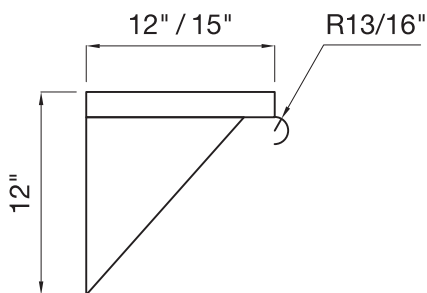


- All stainless steel construction
- Heavy-duty 18-gauge polished stainless steel
- 1" stainless steel risers on sides and back edge
- Bull nose front edge for strength and elegance
- Stainless steel side mounts and rear riser are pre-drilled for mounting
- NSF approved
- Choose from 2 depths: 12" or 15" and from 6 widths: 36"/48"/60"/72"/84"/96" (not all size combinations are available)

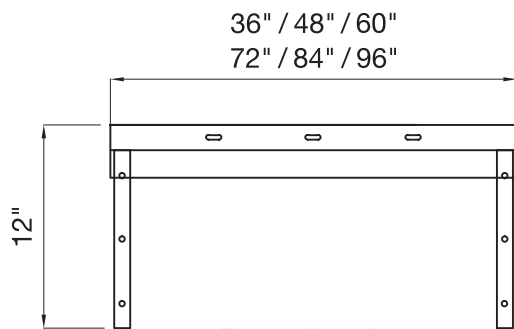


REL-WR-1236	12"D x 36"W Wall Shelf, Bullnose Front
REL-WR-1248	12"D x 48"W Wall Shelf, Bullnose Front
REL-WR-1260	12"D x 60"W Wall Shelf, Bullnose Front
REL-WR-1272	12"D x 72"W Wall Shelf, Bullnose Front
REL-WR-1284	12"D x 84"W Wall Shelf, Bullnose Front
REL-WR-1296	12"D x 96"W Wall Shelf, Bullnose Front
REL-WR-1560	15"D x 60"W Wall Shelf, Bullnose Front
REL-WR-1584	15"D x 84"W Wall Shelf, Bullnose Front

Specifications subject to change without notice.



Side elevation shows shelf depths



Front elevation shows shelf widths