

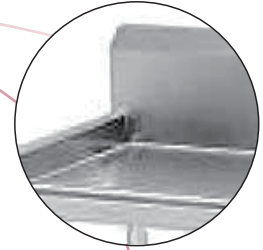


Equipment for the Foodservice Industry

value + quality + service

STAINLESS STEEL CLEAN DISH TABLES

7 ½" EXTRA LARGE
BOLD LOOKING BACKSPLASH
WITH 2" RETURN & TILE EDGE



SICT60L 

STAINLESS STEEL CLEAN DISH TABLES

Features

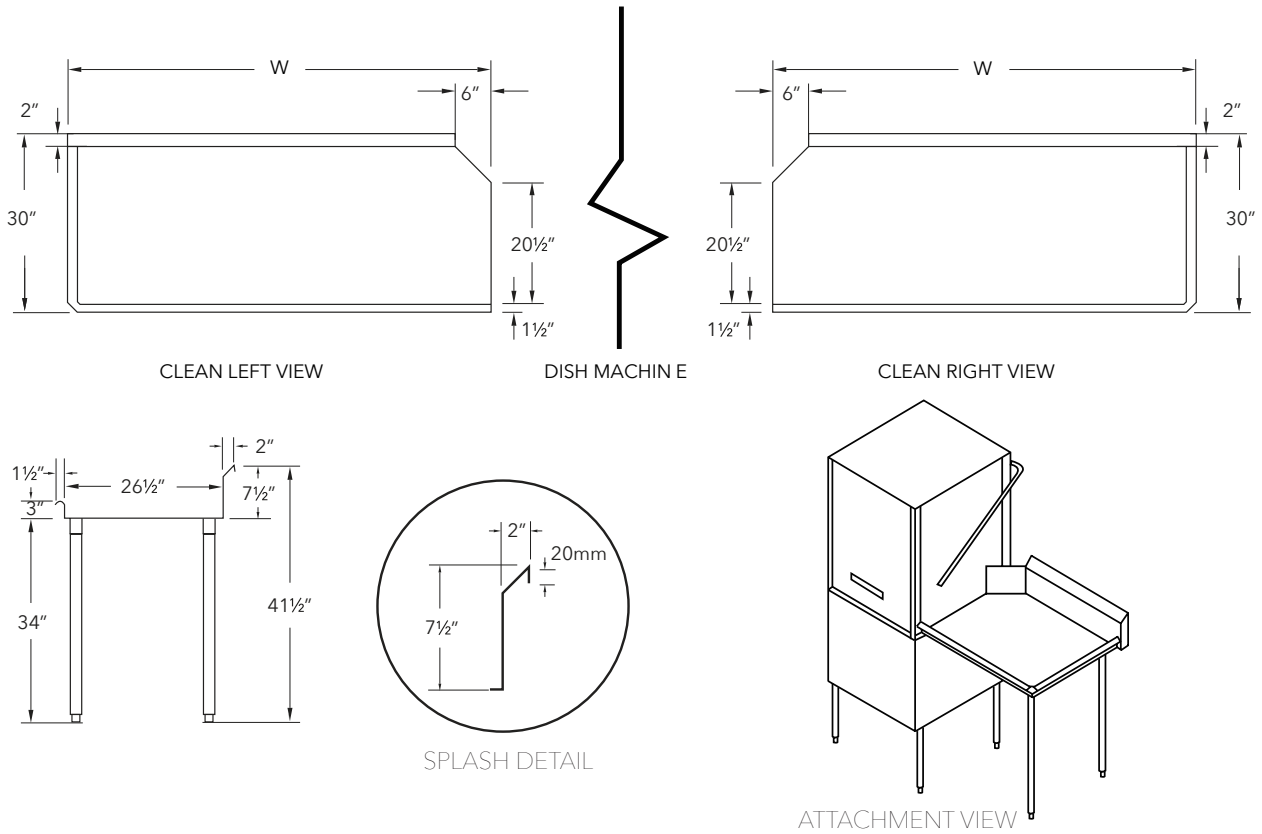
Features:

- Dish table system consists of soil and clean sections
- Table is furnished with a 7½" backsplash and a 2" return
- Wall clips are provided for a neat and easy installation
- Tables are made from 16 gauge, Type 304 stainless steel with stainless steel gussets and channels
- All TIG welded
- Welded areas are blended to a satin finish to match adjacent surfaces
- All gussets are welded to stainless steel support channels
- Die cast reinforced leg sockets for increased stability
- Each dish table comes with 2 stainless steel legs with adjustable ABS bullet feet



STAINLESS STEEL CLEAN DISH TABLES

Specifications



Product #	Width	Shipping Dimensions			Weight (lbs)
		W"	D"	H"	
SICT24L	24	26	33	11	32
SICT24R	24	26	33	11	32
SICT36L	36	38	33	11	41
SICT36R	36	38	33	11	41
SICT48L	48	50	33	11	50
SICT48R	48	50	33	11	50
SICT60L	60	62	33	11	59
SICT60R	60	62	33	11	59
SICT72L	72	74	33	11	68
SICT72R	72	74	33	11	68
SICT84L	84	86	33	11	78
SICT84R	84	86	33	11	78
SICT96L	96	98	33	11	86
SICT96R	96	98	33	11	86

Specifications subject to change without notice.