



Equipment for the Foodservice Industry

value + quality + service

Glass Door Merchandiser Freezer

F2-35GD



F2-35GD

Features

Features:

- Bottom mount compressor unit for easy maintenance
- White coated aluminum interior walls and black powder coated steel for exterior
- LED interior lighting
- Easy to use digital temperature control
- 2 dual pane tempered & heated glass with self close swing doors
- R290 refrigeration system
- Epoxy coated adjustable steel shelves, each hold up to 90 lbs of weight
- Locked mounted glass doors to keep food safe

- Automatic defrosting system
- Pre-installed casters

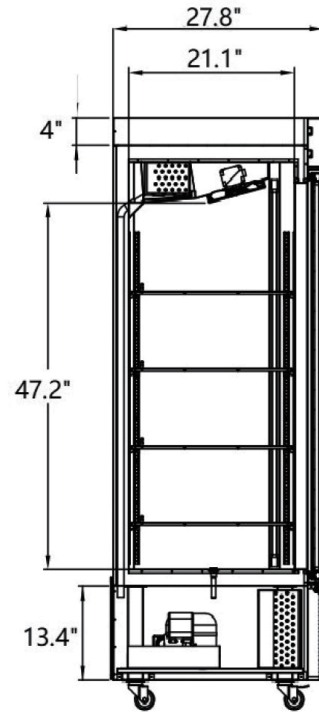
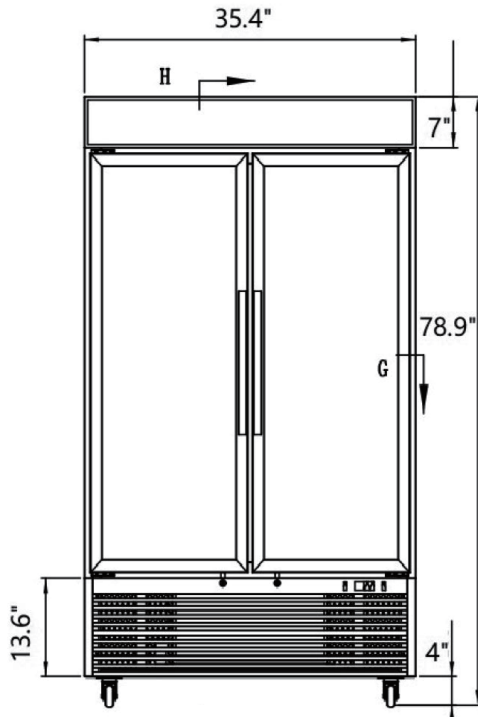
Warranty:

- Two year parts and labour; Five years on compressor. *For full warranty details visit <https://www.efifoodequip.com/warranty-info.php>*



F2-35GD

Specifications



Model	Doors	Shelves	Dimension (mm) (inch)			HP	Voltage	Amps	Capacity (L) (Cu Ft.)	Net Weight (KG) (LBS)	Temperature Range
			L	D	H						
F2-35GD	2	8	900	706	2004	2/3	110/60/1	9	780	165	-22 ~ -18°C
			35.4	27.8	78.9				27.5	360	-8 ~ 0°F

Specifications subject to change without notice.