



Equipment for the Foodservice Industry

value + quality + service

Bottom Mount Reach-in Glass Door Refrigeration

C2-54GDSVC



C2-54GDSVC

Features

Features:

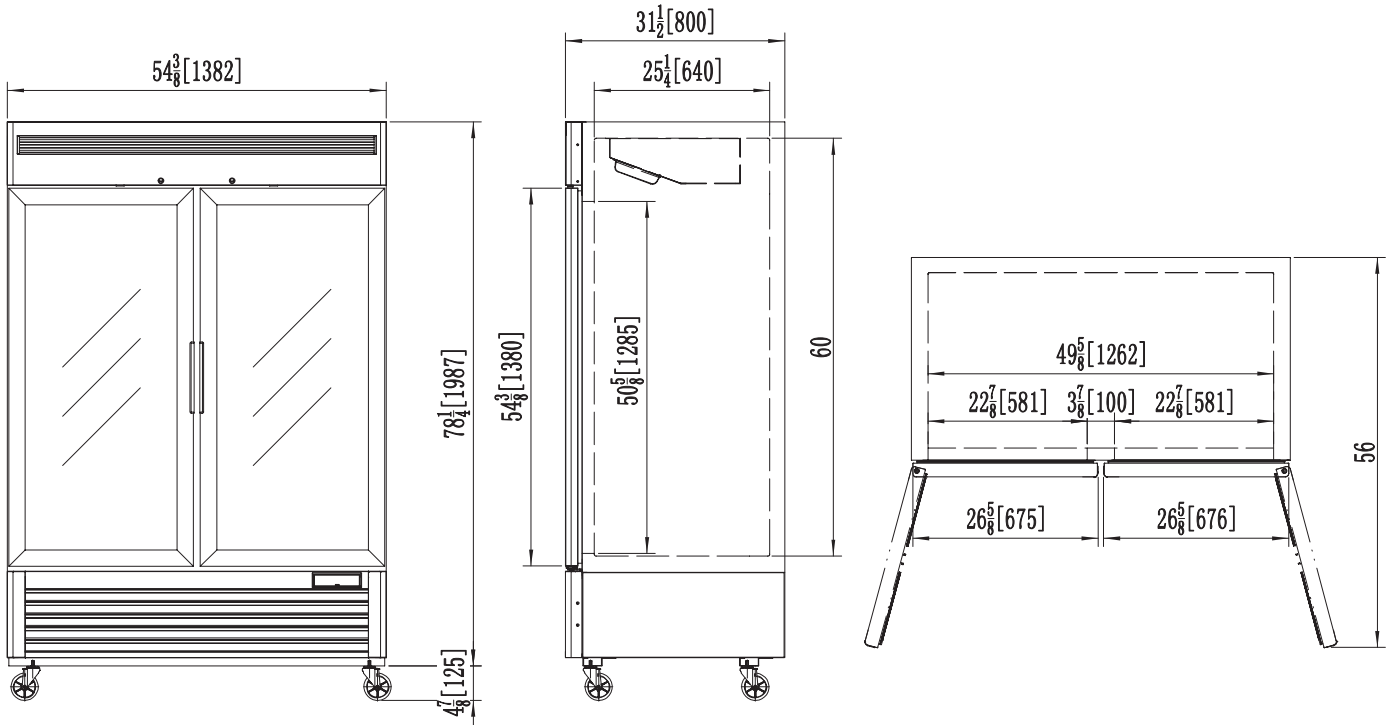
- Bottom mount compressor units
- Environmentally friendly R290 refrigerant
- Led lighting interior display system
- Dixell digital temperature control system
- Heavy duty Embraco compressor
- Self-closing and stay open door
- Efficient refrigeration system
- Recessed door handle
- Standard safety door lock
- Magnetic door gaskets
- Pre-installed casters
- Pre-installed shelves

Warranty:

- Two year parts and labour; Five years on compressor. *For full warranty details visit <https://www.efifoodequip.com/warranty-info.php>*



C2-54GDSVC Specifications



| Model | Refrigerant | Doors | Shelves | Dimension (mm) (inch) | | | HP | Voltage | Amps | Capacity (L) (Cu Ft.) | Net Weight (KG) (LBS) | Temperature Range |
|------------|-------------|-------|---------|-----------------------------|------|------|-----|---------|------|-----------------------------|--------------------------------|----------------------|
| | | | | L | D | H | | | | | | |
| C2-54GDSVC | R290 | 2 | 8 | 1382 | 800 | 2135 | 1/3 | 115/60 | 3.2 | 1268 | 220 | 1 ~ 8°C |
| | | | | 54.4 | 31.5 | 84.1 | | | | 44.8 | 484 | 33 ~ 45°F |

Equipped with one NEMA 5-15P plug 

Shipping Information

| Crate Dimensions (mm) (inch) | | | Net Weight (KG) (LBS) | Gross Weight (KG) (LBS) |
|------------------------------------|------|------|-----------------------------|-------------------------------|
| L | D | H | | |
| 1435 | 862 | 2154 | 220 | 2455 |
| 56.5 | 33.9 | 84.8 | 485 | 540 |

Specifications subject to change without notice.