



**"WE MAKE THE KITCHEN BETTER!"**

**ATOSA USA, INC.**

**Toll Free: 855-855-0399 Email: info@atosausa.com**

www.atosa.com | www.atosausa.com

California, Colorado, Florida, Georgia, Illinois,

New Jersey, Ohio, Texas, Washington

# Side Mount Worktop Refrigerators

## Standard Features

- Side mount compressor with environmentally friendly R290 refrigerant
- Electronic temperature controller
- Maintains temperatures between 34°F – 40°F
- 4" foamed-in-place backsplash
- Recessed door handle(s)
- Self-closing door(s) with stay open feature
- Magnetic door gasket(s) standard for positive door seal
- Pre-installed casters
- Two (2) pre-installed shelves per section

## Optional Accessories

- Extra shelves – includes 4 shelf clips per shelf
- MGF44GR – shelf part #: W0402572
- MGF67GR – shelf part #: W0402573

For the best results of food preservation we recommend setting your refrigerator between 33°F to 38 °F

1. Don't forget to leave the unit some room to breathe!
2. Please clean the condenser frequently to give the unit more fresh air.



2 YEAR PARTS AND LABOR WARRANTY  
5 YEAR COMPRESSOR PART WARRANTY

## MODELS:

MGF44GR / MGF67GR



**MGF44GR**



**MGF67GR**





**"WE MAKE THE KITCHEN BETTER!"**

**ATOSA USA, INC.**

Toll Free: 855-855-0399 Email: [info@atosausa.com](mailto:info@atosausa.com)

[www.atosa.com](http://www.atosa.com) | [www.atosausa.com](http://www.atosausa.com)

California, Colorado, Florida, Georgia, Illinois,

New Jersey, Ohio, Texas, Washington

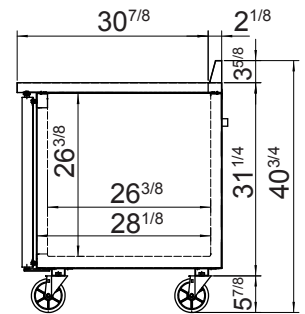
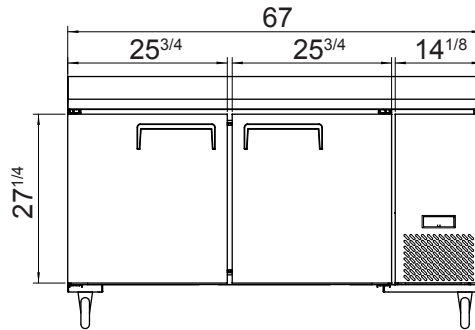
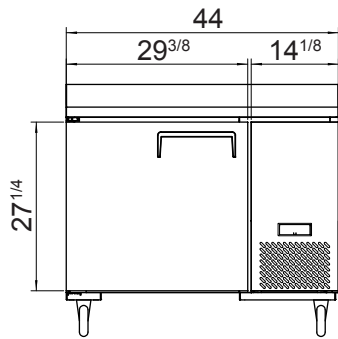
## SPECIFICATIONS

Models	Door	Capacity (Cu.Ft.)	Shelves	Casters (inch)	Amps (A)	Voltage (V/Hz/Ph)	HP	Refrigerant	Exterior Dimensions (inch)	Net Weight (lb)	Gross Weight (lb)
MGF44GR	1	9.7	2	5	2.3	115/60/1	1/7+	R290	44×34×40 <sup>7/10</sup>	234	298
MGF67GR	2	18.5	4	5	2.8	115/60/1	1/5	R290	67×34×40 <sup>7/10</sup>	326	410

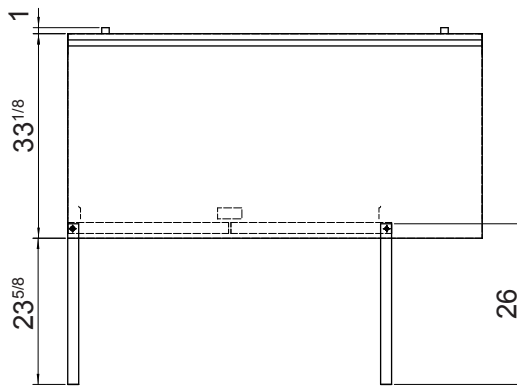
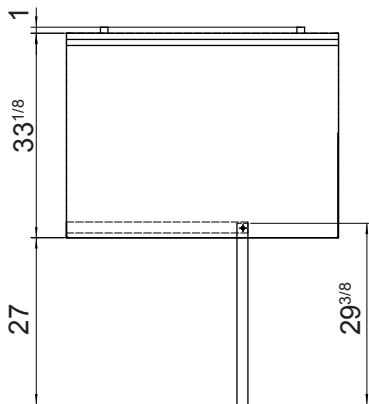
## PLAN VIEW

**MGF44GR**

**MGF67GR**



**SIDE VIEW**



**Casters**

**Epoxy shelves**

**Rear grate**

