



Project _____
 Item # _____
 Quantity _____

Commercial Single Belgian Waffle Maker

Model: BWM-07

Looking to expand your menu offerings, increase efficiency, and attract more customers. The Winco Belgian Waffle Maker is designed to produce consistent high-quality waffles, ensuring customer satisfaction and repeat business. Built to withstand heavy usage in a commercial kitchen environment, ensuring long-term durability and reliability.

Standard Features

- ◆ Produces up to 35 waffles per hour
- ◆ Non-stick cooking plates for quick release & easy clean up
- ◆ Audible signal alerts when temperature is reached, and again when waffle is ready
- ◆ Rotates 180° to evenly distribute batter
- ◆ Durable construction withstands commercial use
- ◆ Space-saving, compact design

- ◆ One year parts and labor warranty



Options & Accessories

G-116	14 oz Syrup Dispensers
CW-A05	Whipped Cream Dispenser
PMCP-5SET	Polycarbonate Measuring Cups

For California Customers

WARNING: Cancer and Reproductive Harm - www.P65Warnings.ca.gov

Winco®

www.wincous.com | equipsales@wincous.com

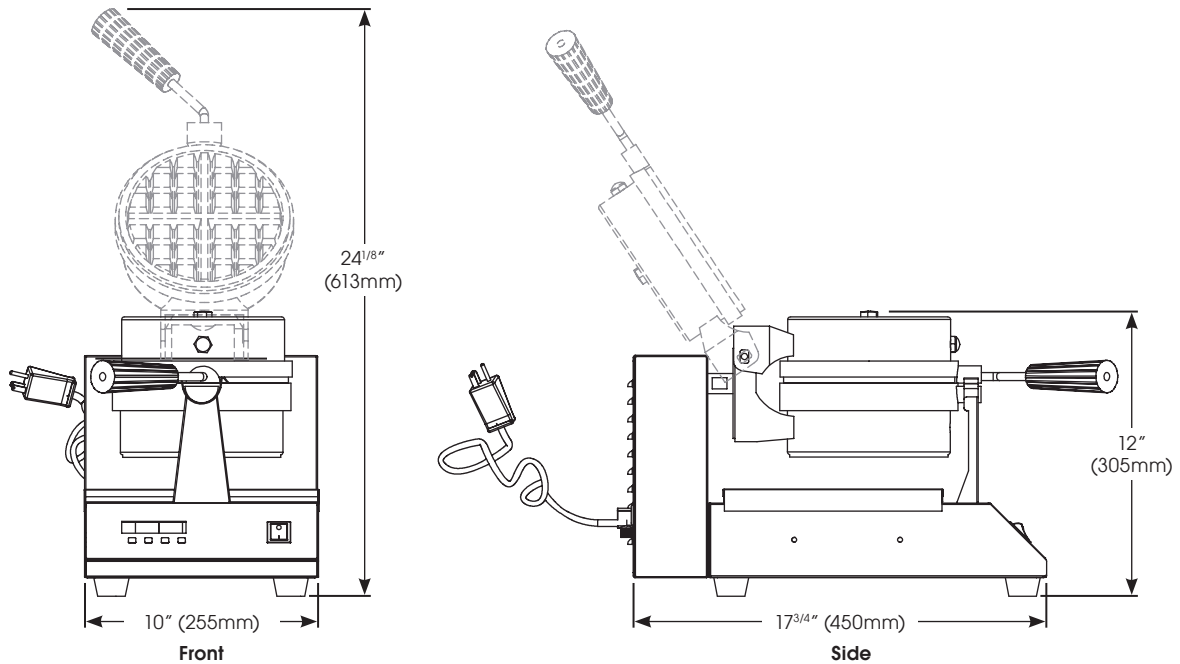
New Jersey Headquarters & Distribution Center
 65 Industrial Road, Lodi, NJ 07644
 Phone: 1-888-946-2682 | Fax: 1-973-916-9959

Florida Showroom & Distribution Center
 10800 NW 103rd St. Bldg 22, Ste 11, Miami, FL 33178
 Phone: 1-888-946-2682 | Fax: 1-973-916-9959

Nevada Distribution Center
 3777 Marion Drive, Las Vegas, NV 89115
 Phone: 1-888-946-2682 | Fax: 1-973-916-9959

Winco® Commercial Belgian Waffle Maker

Model: BWM-07



Specifications

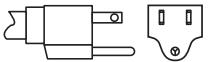
MODEL	DESCRIPTION	OVERALL DIMENSIONS			VOLTS	HZ	WATTS	AMPS	PLUG	SHIP WEIGHT
		LENGTH	DEPTH	HEIGHT						
BWM-07	Waffle Maker	10" (255mm)	17-3/4" (450mm)	12" (305mm)	120	60	1000	8.3	NEMA 5-15P	24 lbs (10.9 kgs)

Cord Location

On back left side

Plug Configuration

NEMA 5-15P



Product Specs

Commercial Belgian Waffle Maker

The Commercial Belgian Waffle Maker model BWM-07 as manufactured by Winco®, Lodi, NJ 07644.

The Commercial Belgian Waffle Maker shall be rated for 120V-60 Hz at 1000 Watts and supplied with a NEMA 5-15P plug. Units shall be constructed of sleek stainless steel with non-stick cooking plates for quick release and easy clean up. Units rotate 180° to evenly distribute batter with an audible signal alert when temperature is reached, and again when waffle is ready. Units produces up to 35 waffles per hour. Unit is space-saving with a compact design.

ETL listed for safety (Canada & US) and sanitation.

Warranty consists of one year parts and labor.

Winco®

www.winco.com | equipsales@winco.com

New Jersey Headquarters & Distribution Center
65 Industrial Road, Lodi, NJ 07644
Phone: 1-888-946-2682 | Fax: 1-973-916-9959

Florida Showroom & Distribution Center
10800 NW 103rd St. Bldg 22, Ste 11, Miami, FL 33178
Phone: 1-888-946-2682 | Fax: 1-973-916-9959

Nevada Distribution Center
3777 Marion Drive, Las Vegas, NV 89115
Phone: 1-888-946-2682 | Fax: 1-973-916-9959