



# KM-161B\_J

**SELF-CONTAINED CUBER  
WITH BUILT-IN STORAGE BIN**



KM-161B\_J  
08/02/23  
Item # 13551

**W x D x H**  
**23<sup>3/4</sup>" x 28" x 39"**\*  
\*including 6" legs

**ADA Compliant**

## KM|EDGE™

**KM-161BAJ**  
Air-Cooled

**KM-161BWJ**  
Water-Cooled



Item #: \_\_\_\_\_  
Project: \_\_\_\_\_  
Qty: \_\_\_\_\_  
AIA#: \_\_\_\_\_

## Features

- ▶ Individual crescent cube
- ▶ Stainless steel evaporator
- ▶ CycleSaver™ design

- Up to 163 lbs. of ice production per 24 hours
- Built-in storage capacity of 2.6ft<sup>3</sup>/78 lbs.\*
- Durable stainless steel exterior
- Front-in, front-out airflow with removable air filter
- Slide in door
- 6.5 ft. (2000 mm) power cord with NEMA 5-15P plug
- Power switch accessible without panel removal
- Built-in installation possible
- H-GUARD Plus Antimicrobial adds extra protection to the ice scoop (included)
- EverCheck™ alert system
- R-134a Refrigerant

### Warranty:

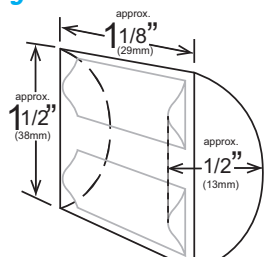
3 Year Parts & Labor on entire machine. 5 Year Parts & Labor on Evaporator. 5 Year Parts on Compressor; air-cooled condenser coil. Valid in United States, Canada, Puerto Rico and U.S. Territories. Contact factory for warranty in other countries.

Shipping: (LxWxH) 31" x 27" X 39"    Volume: 18.89ft<sup>3</sup>

### ICE PRODUCTION      WATER USAGE      ELECTRICAL

Condenser	Model	Air / Water Temp		Potable		Condenser		kWh Used	Min. Circuit/ Max. Fuse Size	Amperage	Voltage	Heat Rejection BTU/hr.	Refrigerant Charge Amount	Net / Ship Weight (lbs.)
		70°/50°F	90°/70°F	Gal. per 100 lbs.	Gal. per 100 lbs.	Gal. per 100 lbs.	per 100 lbs.							
Air-Cooled	KM-161BAJ	163	123	23.0	N/A	8.60	15A	7.1A	115V/60/1	3,050	7.4 oz.	126 / 161		
Water-Cooled	KM-161BWJ	153	135	25.0	161	6.50	15A	6.4A	115V/60/1	2,900	10.6 oz.	126 / 161		

### KMEdge™ Cube Dimensions\*



\* approximate size in inches, image not to scale

### Operating Limits

- Ambient Temp Range 45 - 100°F
- Water Temp Range 45 - 90°F
- Water Pressure 10 - 113 PSIG
- Voltage Range 104 - 127V
- If GFCI is required, a GFCI breaker MUST be used in lieu of GFCI receptacle

### Service

- Allow enough space at rear for water supply and drain connections, at least 12" (30 cm) clearance at front and at least 0.6" (15 mm) clearance at top for maintenance.

### Plumbing

- Icemaker Water Supply Line: Minimum 1/4" Nominal ID Copper Water Tubing or Equivalent
- Icemaker Drain Line: Minimum 3/4" Nominal ID Hard Pipe or Equivalent

### Water Filter

Please refer to water filter spec sheet for recommended configurations.

Hoshizaki reserves the right to change specifications without notice.



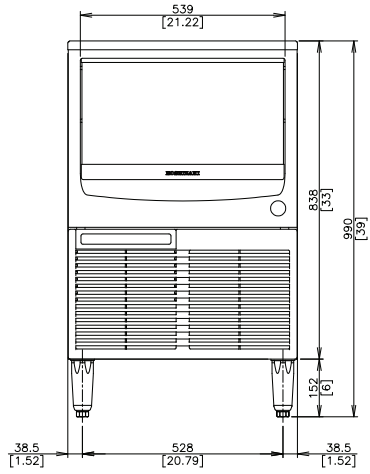
# KM-161B\_J

**SELF-CONTAINED CUBER  
WITH BUILT-IN STORAGE BIN**

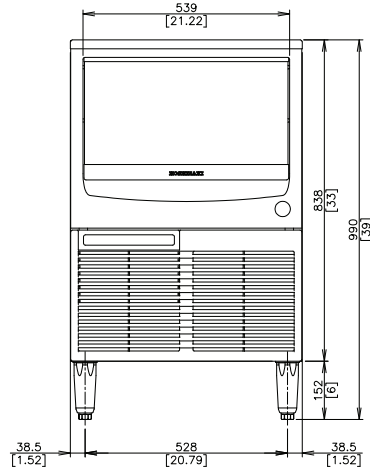


KM-161B\_J  
08/02/23  
Item # 13551

FRONT VIEW



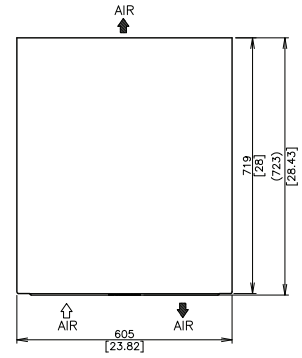
**AIR-COOLED**



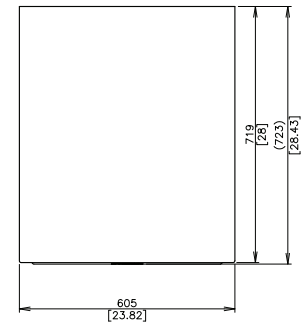
**WATER-COOLED**

## TOP VIEW

mm  
[inch]

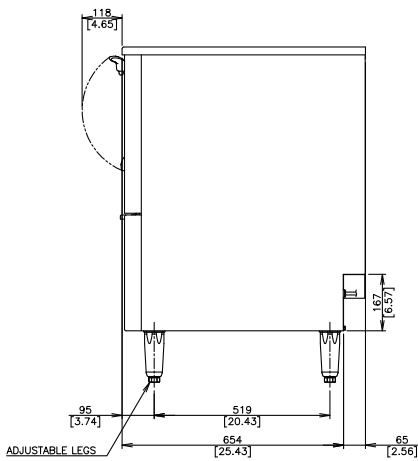


**AIR-COOLED**

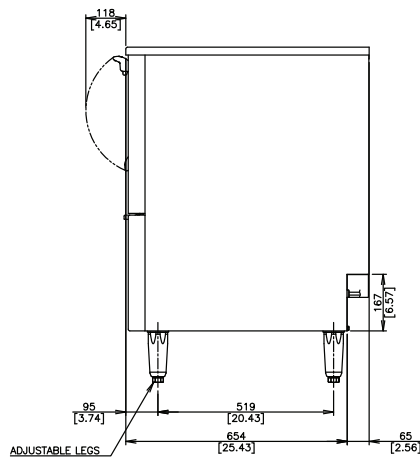


**WATER-COOLED**

SIDE VIEW

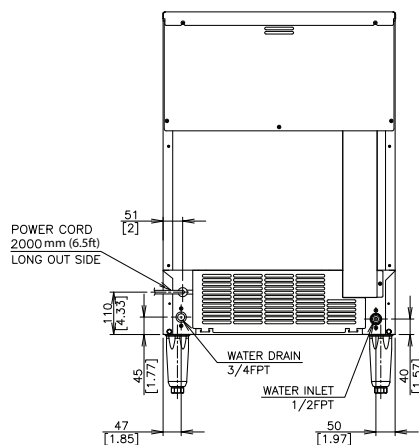


**AIR-COOLED**

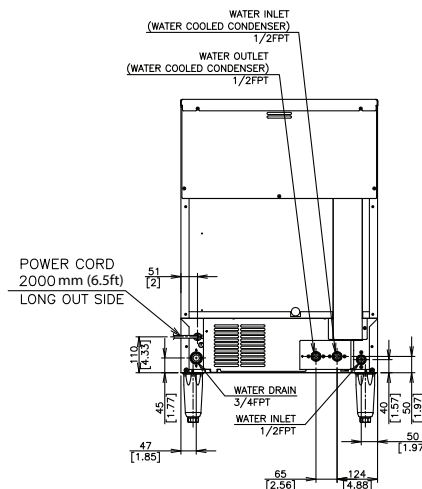


**WATER-COOLED**

REAR VIEW



**AIR-COOLED**



**WATER-COOLED**