



# KM-1100M\_J(Z)

## MODULAR CRESCENT CUBER



KM-1100M\_J(Z)  
10/25/23  
Item # 13218

Item #: \_\_\_\_\_  
 Project: \_\_\_\_\_  
 Qty: \_\_\_\_\_  
 AIA#: \_\_\_\_\_

### Features

- ▶ Individual crescent cube
- ▶ Stainless steel evaporator
- ▶ CycleSaver™ design

- Up to 1156 lbs. of ice production per 24 hours
- Mount two units, side-by-side, for 2,312 lbs. per 24 hours (in only 60" of floor space)
- Durable stainless steel exterior
- Protected by H-Guard Plus Antimicrobial Agent
- EverCheck™ alert system
- Removable air filters (Air-cooled model only)
- R-404A Refrigerant

#### Available on Bins:

**B-500SF**    **B-800SF**    **B-1150SS**    **B-1500SS\***  
**B-700SF**    **B-900SF**    **B-1300SS**    **B-1650SS\***

*Top kit may be required. See Bin Spec Sheets. \*Two unit application only.*

#### Warranty:

3 Year Parts & Labor on entire machine. 5 Year Parts & Labor on Evaporator. 5 Year Parts on Compressor; air-cooled condenser coil. Valid in United States, Canada, Puerto Rico and U.S. Territories. Contact factory for warranty in other countries.

Shipping: (LxWxH) 33.75" x 33.25" X 38"    Volume: 24.82ft<sup>3</sup>

W x D x H  
30" x 27<sup>3/8</sup>" x 32<sup>1/2</sup>"

# KMEDGE™



**KM-1100MAJ**

Air-Cooled

Shown on optional bin B-500

**KM-1100MWJ**

Water-Cooled

**KM-1100MRJZ**

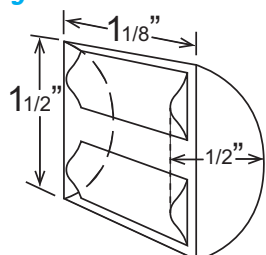
Remote Air-Cooled



Condenser	Model	ICE PRODUCTION		WATER USAGE		ELECTRICAL					Heat Rejection BTU/hr.	Refrigerant Charge Amount	Net / Ship Weight (lbs.)
		Air / Water Temp Lbs. per 24 hours 70°/ 50°F    90°/ 70°F	Potable Gal. per 100 lbs. 90°/ 70°F	Condenser Gal. per 100 lbs. 90°/ 70°F	kWh Used per 100 lbs. 90°/ 70°F	Min. Circuit/Max. Fuse Size	Amperage	Voltage	Circuit Wires (including ground)				
Air	KM-1100MAJ	1087	935	19.0	N/A	4.9	20A	12.5A	208-230/60/1	3	15,700	3 lbs. 1.4 oz.	260 / 290
Water	KM-1100MWJ	1073	1006	20.0	107	4.0	20A	9.6A	208-230/60/1	3	17,100	1 lb. 10.5 oz.	250 / 280
Remote	KM-1100MRJZ	1156	1030	18.0	N/A	4.5	20A	12.5A	208-230/60/1	3	15,600	5 lb. 4.7 oz. 9 lb. 11.2 oz. <sup>†</sup>	242 / 272

<sup>†</sup> (with condenser)

### KMEdge™ Cube Dimensions\*



\* approximate size in inches, image not to scale

### Operating Limits

- Ambient Temp Range 45 - 100°F
- Water Temp Range 45 - 90°F
- Water Pressure 10 - 113 PSIG
- Voltage Range 187-253V
- If GFCI is required, a GFCI breaker MUST be used in lieu of GFCI receptacle

### Service

- Panels easily removed and all components accessible for service.
- Allow 12" (30 cm) clearance at rear, sides, and top for proper air circulation and ease of maintenance/service.

### Plumbing

- Icemaker Water Supply Line: Min. 3/8" Nominal ID Copper Water Tubing or Equivalent
- Icemaker Drain Line: Min. 3/4" Nominal ID Hard Pipe or Equivalent Water-Cooled Model (Lines Must Be Independent of Icemaker)
- Condenser Water Supply Line: Min. 3/8" Nominal ID Copper Water Tubing or Equivalent
- Condenser Drain/Return Line: Min. 3/8" Nominal ID Hard Pipe (open drain system) or Copper Water Tubing (closed loop system) or Equivalent

### Water Filter

Please refer to water filter spec sheet for recommended configurations.

Hoshizaki reserves the right to change specifications without notice.

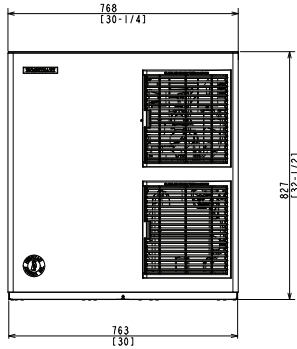


# KM-1100M\_J(Z)

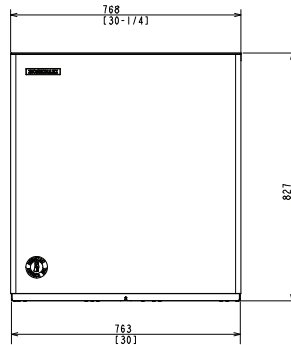
## MODULAR CRESCENT CUBER

KM-1100M\_J(Z)  
10/25/23  
Item # 13218

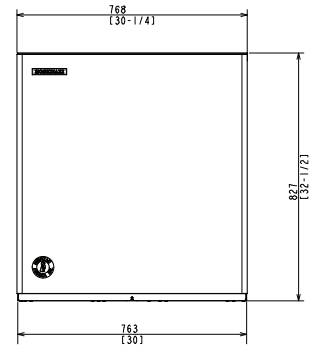
FRONT VIEW



AIR-COOLED

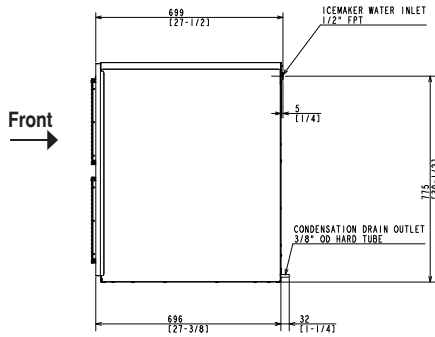


WATER-COOLED

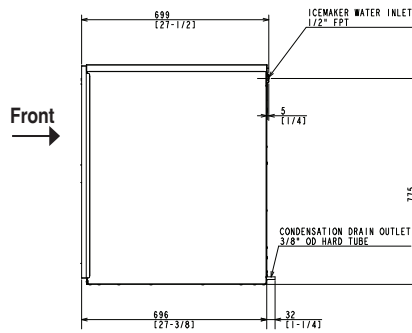


REMOTE AIR-COOLED

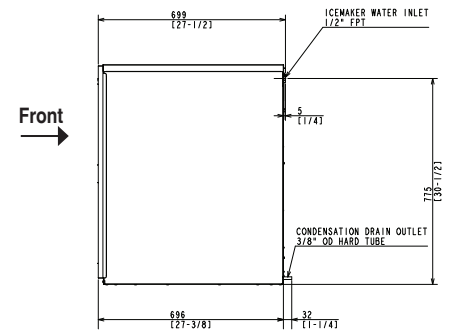
SIDE VIEW



AIR-COOLED

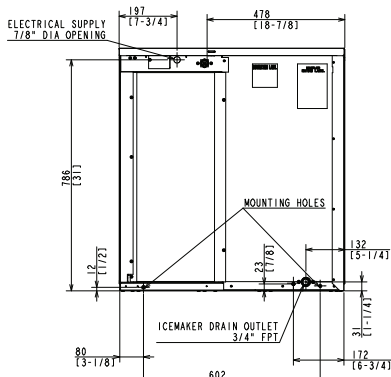


WATER-COOLED

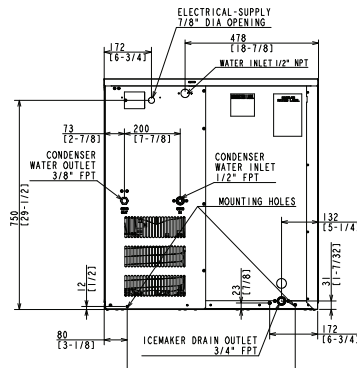


REMOTE AIR-COOLED

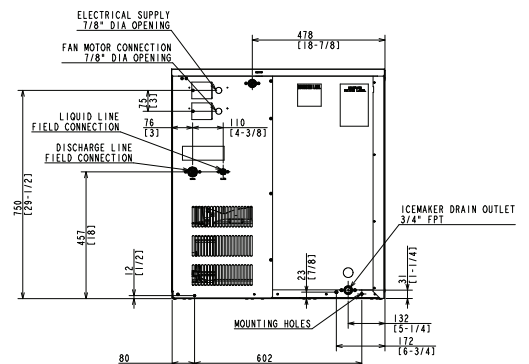
REAR VIEW



AIR-COOLED

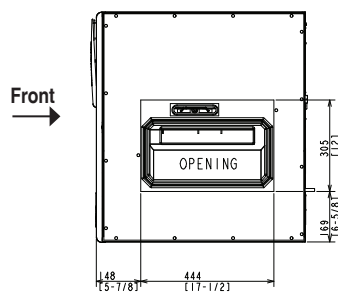


WATER-COOLED

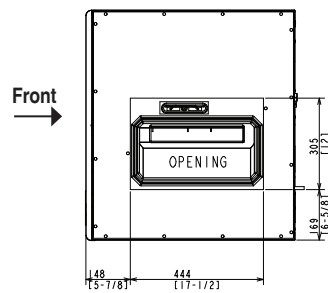


REMOTE AIR-COOLED

BOTTOM VIEW



AIR-COOLED



WATER-COOLED  
REMOTE AIR-COOLED

**URC-14FZ Remote Condenser (Sold Separately)**  
(W x D x H) 35<sup>11/16</sup> x 14<sup>1/16</sup> x 36<sup>1/2</sup>  
For Use with KM-1100MRJZ

**Brazed Line Sets**  
(Sold Separately)  
25' HS-5604  
35' HS-5605  
55' HS-5606

Voltage supply for the URC Remote Condenser is supplied from the Ice Maker. No additional circuit is required.

