

# SE24HCSX

*Solid, Stainless Xterior™ Refrigerator*

Project Name: \_\_\_\_\_

Item #: \_\_\_\_\_ Quantity: \_\_\_\_\_



Width*	Depth**	Height***	Shelves	Cold Space™	Ship Weight	Ship Cube	Cooling Capacity	Electrical
23 7/8" 607 mm	31" 788 mm	78" 1982 mm	3	24	248 lbs 112 kg	41 cu. ft 1.16 m <sup>3</sup>	1/4 HP	115V/3.1 Amp/60 Hz - Single Phase - NEMA 5-15P, Dedicated Circuit

\*\* Add 1" (26mm) for Power Cord. \*\*\* Add 3/8" (10mm) for Threaded-In Levelers. Millimeters rounded up.

## Premium Features



Cassette® Refrigeration



Finless Free&Clear™  
Condenser Coil



Automatic Stainless Steel  
Condensate Control System



Front Breathing Refrigeration



Priority Air-Flow

**SE24HCSX:** Designed to enhance the refrigerated storage or display experience to the highest standards of quality and performance.

**Refrigeration:**

- Self contained Cassette® forced-air refrigeration employs R290 hydrocarbon Natural Refrigerant within a sealed capillary tube system.
- Cassette® refrigeration is bottom-mounted and removable from the front for ease of maintenance. Refrigeration may be exchanged or upgraded without mechanic. Designed to operate at a set point between 34°F to 39°F (1°C - 4°C).
- Priority, directed air flow provides optimum cooling and energy efficiency within cabinet and exclusively at front of unit for optimized heat exchange ventilation.
- Finless, Free&Clear™ Condenser Coil maximizes air-flow over the compressor, reduces energy consumption and is non-clogging.
- Corrosion resistant coated evaporator coil.
- Automatic, stainless steel condensate control system.
- Quality, self-lubricating and sealed motors with streamlined air-flow provide quieter yet robust refrigeration.
- Equipped with Digital Thermometer.



**Cabinet:**

- Exterior – stainless steel front and sides.
- Interior – NSF approved white aluminum liner with stainless steel covered corner floor.
- Ergonomic raised interior floor.
- Space Saving Design – air ventilation exclusively from the front of unit.
- Insulation – cabinet and solid doors are foamed-in-place with eco-conscious, polyurethane insulation.
- Heavy duty thread-in leveler legs.

**Doors:**

- Stainless steel front with white aluminum interior liner and large grip, recessed handle(s).
- Self Closing Swing Doors feature hold-open position, spring back protection and are reversible on-location.
- Magnetic gaskets are single piece bead-mount construction easily removable for cleaning.
- Door lock included is reversible on-location.

**Lighting:**

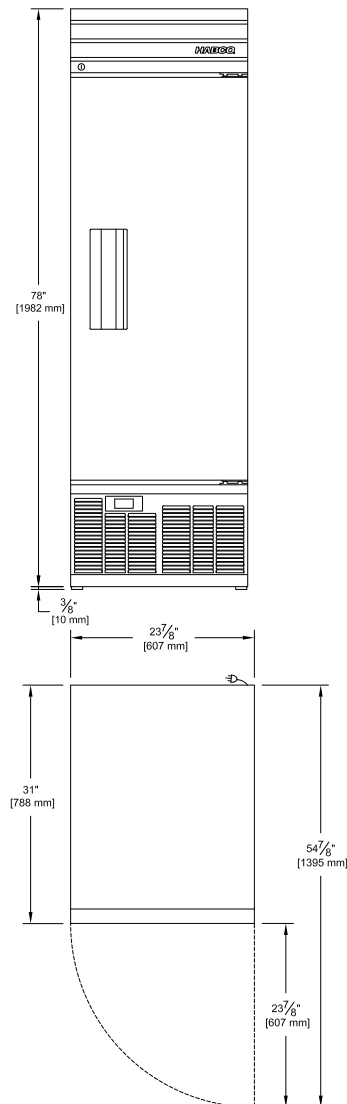
- Auto-Actuated Interior Lighting.

**Storage:**

- Three (3) white coated shelves 19 1/2"W x 22 3/4"D (496mm x 578mm) are NSF approved.
- Heavy duty aluminum shelving pilasters will not peel or chip adjustment of 1/2" (13mm) increments.
- Interior accepts typical 18" x 26" (458mm x 661mm) sheet pans.
- NSF-7 compliant for storage and display of open food product.

**Electrical:**

- Factory power cord installed for connection to a sole-use (dedicated) 115V/60Hz/1-Phase, 15 Amp circuit.



HABCO MANUFACTURING INC. 501 GORDON BAKER ROAD, TORONTO, ONTARIO, CANADA, M2H 2S6  
 Toll Free CAN: 1-800-387-5398 USA: 1-800-448-0244 Fax: 416-491-6982 www.habcomfg.com