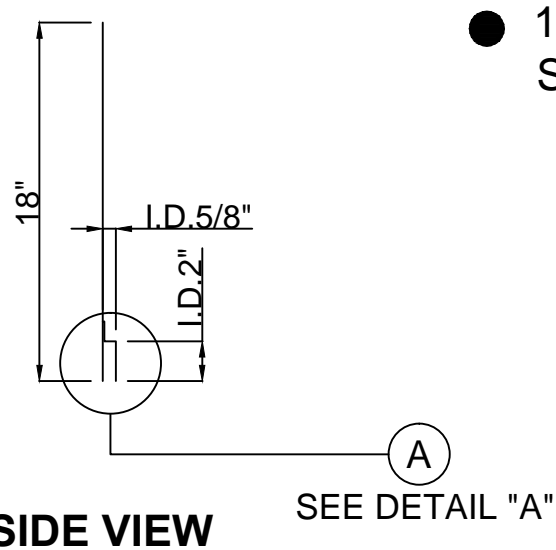
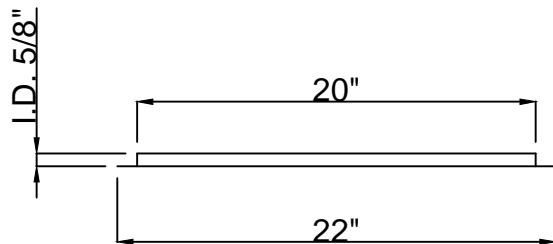


FRONT ELEVATION

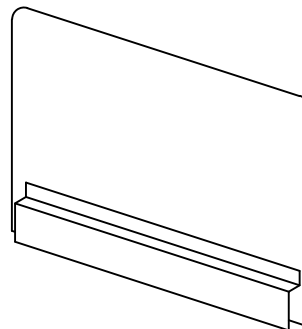


SIDE VIEW

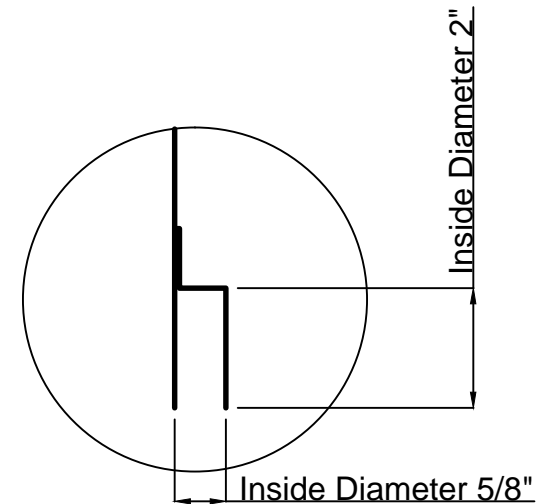
● 18 GA. STAINLESS STEEL CONSTRUCTION.



PLAN VIEW



ISOMETRIC



DETAIL "A"

DRAWIN FOR :	MAT.	TOP : 18 GA. S/S. BASE :	DATE	REVISIONS	<i>Reliant</i> [™]
REF. NO :	REQ'D/ITEM :				
ITEM NAME : Fryer Splash Guard	DATE : Oct / 04 / 2018				
PROD. NO. : EQU-REL-FRYSPLASH	BY :				
SCALE: 1/2" =1'-0"	CHECKED BY :				