



# ZESTO

## COUNTERTOP GAS BAKE/PIZZA DECK OVEN



### Ideal for :

- \*Baking bread, rolls, croissants, cakes etc.
- \*Fresh or par-baked dough for PIZZA or pan baking.
- \*Roasting of chickens, pork, beef etc.

### **MODEL:**

# **MICRO**

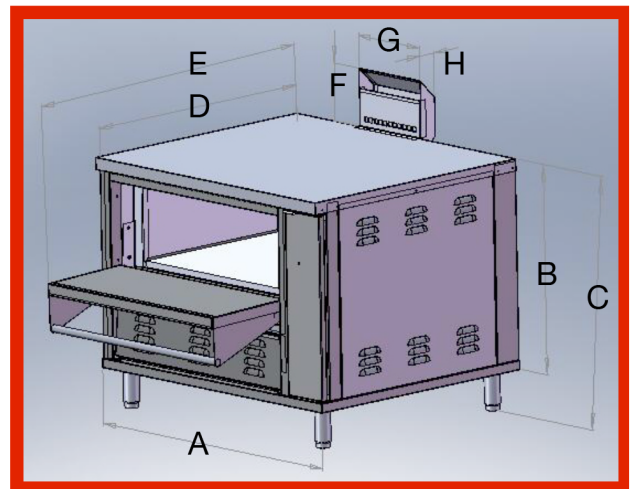
## 30,000 BTUs

### Available in Natural or Propane gas

### Features:

- Exterior dimensions are 32" (812mm) wide x 27" (658mm) deep x 21.5" (546mm) high
- Interior cooking area is 21" (533mm) wide x 21" (533mm) deep x 7" (177mm) high
- Stainless steel front, top and sides
- Long life super efficient stainless steel tubular burners
- Comes with flue diverter (rear exhaust)
- Ovens are stackable
- Capacity: 4 pizza pans 10" (254mm) per cavity
- Front control door panel with access to controls inside
- Available with 12 gauge steel deck or 3/8" (9.5mm) stone hearth for even transfer of heat.
- Equipped with 1/2" NPT gas connection on rear.
- Thermally insulated
- Proper ventilation is required.
- Comes with 4" (102mm) adjustable stainless steel legs.

Available option: Stainless Steel Stand with casters  
24"H OR 30"H



### DIMENSIONS:

- A: 32" (813mm)
- B: 21.5" (546mm)
- C: 24.5" (623mm)
- D: 27.5" (699mm)
- E :36" (915mm)\*
- \*WITH OPEN DOOR

### FLUE DIVERTER

- F: 6" (153mm)
- G: 9" (229mm)
- H: 2-1/8" D (54mm)