



MODEL

2440

H-version

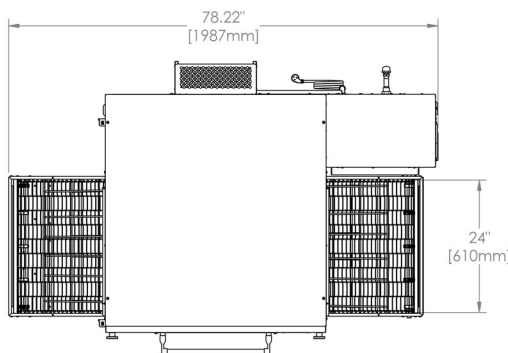
SIZE

**24" WIDE CONVEYOR
40" LONG BAKE CHAMBER**

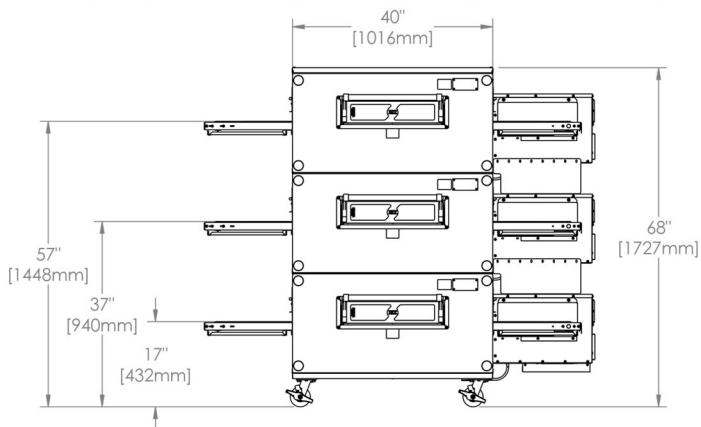
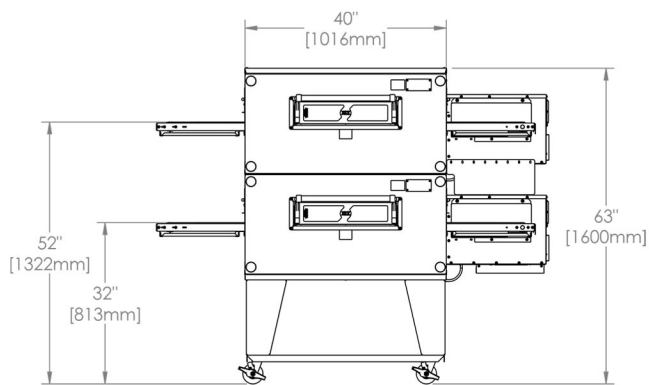
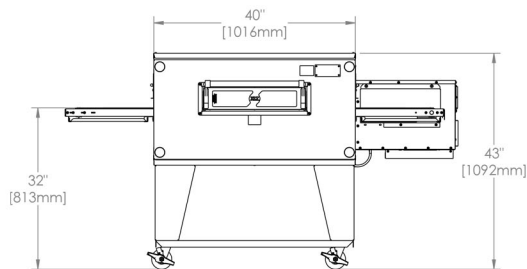
TYPE

GAS & ELECTRIC

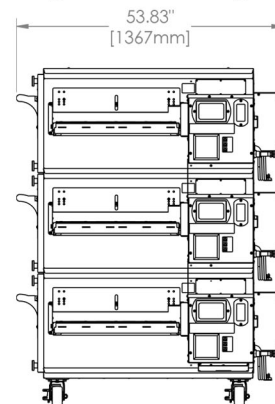
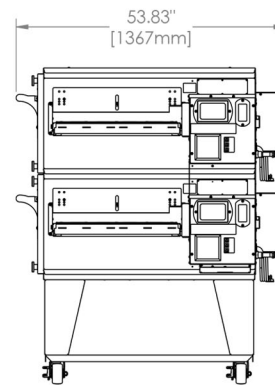
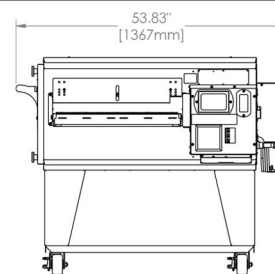
TOP VIEW



FRONT VIEWS



SIDE VIEWS



2440

MODEL

H-version



DATA SHEET

2440H GAS OVEN

Heating Value

Standard	World		
	Natural	Propane	Butane
71,000 BTU/Hr	20.80 Kw/Hr	20.80 Kw/Hr	25.00 Kw/Hr
	74.91 Mj/Hr	74.91 Mj/Hr	

Electrical Requirement

Standard	World
120 VAC, 4.8 Amps, 50/60 Hz	220/230/240 VAC Option, 3 Amps, 50/60 Hz

Inlet Pressure Range

	W/C	mbar	kPa	kPa (Korea)
Natural Gas	6-14	15-35	1.50 - 3.50	1.50 - 2.50
Propane Gas	11-14	27.5 - 35	2.75 - 3.50	2.30 - 3.30

Manifold Pressure Range

	W/C	mbar	kPa
Natural Gas	3.5	8.75	0.875
Propane Gas	10	25	2.50

Oven Weight

	Single (1 crate)		Double (2 crates)		Triple (3 crates)	
	lbs	kg	lbs	kg	lbs	kg
Oven Only	706	320	1286	583	1707	774

2440H ELECTRIC OVEN

Electrical Requirement

	Standard	World
VAC	208/240 VAC	380/415 VAC
Amps	82/65 Amps	51/44 Amps
Hz	60 Hz	50 Hz
Wire Service	4 Wire Service - L1, L2, L3 +1 Ground (per oven)	5 Wire Service - L1, L2, L3 N+2 Grounds (per oven)
Phase	3 Phase	3 Phase
Kw	27 Kw	27/31 Kw

Oven Weight

	Single (1 crate)		Double (2 crates)		Triple (3 crates)	
	lbs	kg	lbs	kg	lbs	kg
Oven Only	716	325	1304	591	1855	841

OVEN & HOOD WARRANTY

USA & Canada (Parts & Labor)	International (Parts & Labor)
10 Years Oven & Hood Combo Purchase*	7 Years Oven & Hood Combo Purchase
7 Years Standard	5 Years Standard

*Pre-piped ANSUL system must be purchased on each oven and hood



(316) 943-2751
SALES@XLTOVENS.COM
SERVICE@XLTOVENS.COM

WWW.XLTOVENS.COM
24/7/365 LIVE TECHNICAL SUPPORT

