



Equipment for the Foodservice Industry

value + quality + service

Worktables with Sink Right

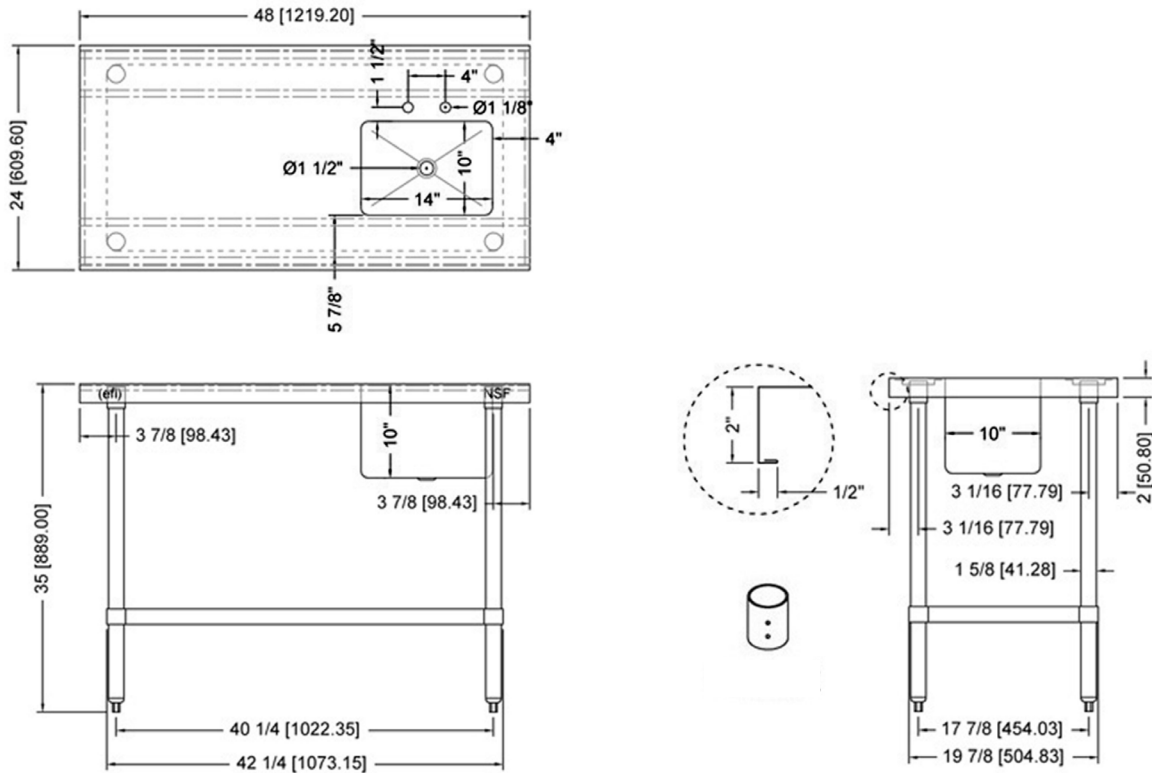


Worktables with Sink Right Features

Features:

- Sinks come with 1 7/8" center drain hole and come with drain mini-basket
- Sinks come with 4" center pre-cut holes for standard deck mount faucet (faucet not included)
- Heavy duty, 18 gauge, Type 430 stainless steel top provides long life
- Top is TIG welded
- Entire top surface is machine polished to a satin finish
- Reinforced to exceed industry standards
- Galvanized hat channels are secured to top by structural adhesive and weld studs
- Gussets welded to support hat sections
- Hemmed edges provide strength and safety
- Simple assembly
- Shipped unassembled for reduced cost and space
- Galvanized legs and undershelf for durability and economy
- Die cast reinforced leg sockets for stability
- Legs are 1 5/8" diameter
- Adjustable ABS bullet feet to accommodate uneven flooring
- 84" and above have 6 legs
- Specifications subject to change without notice.

Worktables with Sink Right Specifications



WORKTABLES WITH SINK RIGHT 24" DEPTH

Product #	Width	Shipping Dimensions			Weight (lbs)
		L"	W"	H"	
TTUBR2448	48	50	26	14	86
TTUBR2460	60	62	26	14	98
TTUBR2472	72	74	26	14	111
TTUBR2484	84	86	26	14	125
TTUBR2496	96	98	26	14	136

WORKTABLES WITH SINK RIGHT 30" DEPTH

Product #	Width	Shipping Dimensions			Weight (lbs)
		L"	W"	H"	
TTUBR3048	48	50	32	14	95
TTUBR3060	60	62	32	14	110
TTUBR3072	72	74	32	14	125
TTUBR3084	84	86	32	14	140
TTUBR3096	96	98	32	14	156