



REFRIGERATION

SERVING THE FOOD INDUSTRY SINCE 1951

REFRIGERATED DUAL SHOWCASES

Items: 47106 & 47277 | Model: RS-CN-0348 & RS-CN-0468



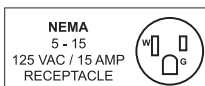
47106



47277



WARRANTY
PARTS AND LABOR



Authorized Dealer

REFRIGERATION

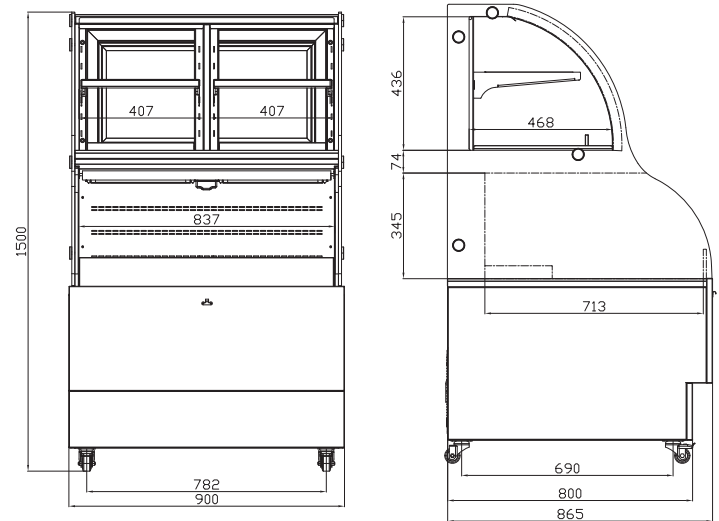
REFRIGERATED DUAL SHOWCASE



TECHNICAL SPECIFICATIONS

Item	47106
Model	RS-CN-0120-5
Capacity	354L 12.5 cu. ft.
Electrical	110V / 60Hz / 1Ph
Power	Refrigeration: 1059 W Defrost: 36.8 W
Amps	10.4 Amps or 9.2 Amps
Temperature Range	2 - 10°C 35.6 - 50°F
Refrigerant	R290
Top & Bottom Shelf Capacity	44 lbs 20 kg
Weight	469.6 lbs 213 kg
Gross Weight	593 lbs 269 kg
Dimensions (WDH)	35.4" x 34.1" x 59.1" 900 x 865 x 1500 mm
Gross Dimensions	39" x 38.4" x 65" 990 x 975 x 1650 mm

TECHNICAL DRAWINGS & DIMENSIONS

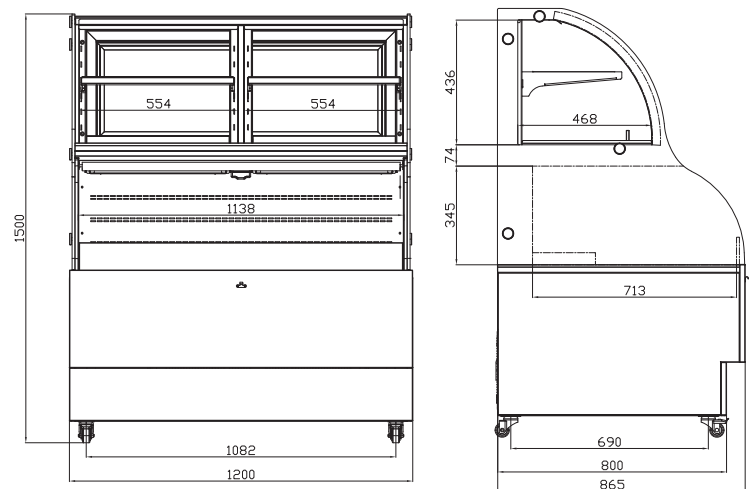


*measurements in diagrams are in mm

TECHNICAL SPECIFICATIONS

Item	47277
Model	RS-CN-0468
Capacity	468L 16.53 cu. ft.
Electrical	110V / 60Hz / 1Ph
Power	Refrigeration: 1298 W Defrost: 36.8 W
Amps	10.7 Amps
Temperature Range	2 - 10°C 35.6 - 50°F
Refrigerant	R290
Top & Bottom Shelf Capacity	44 lbs 20 kg
Weight	522.5 lbs 237 kg
Gross Weight	650.4 lbs 295 kg
Dimensions (WDH)	47.2" x 34.1" x 59" 1200 x 865 x 1500 mm
Gross Dimensions	50.8" x 38.4" x 65" 1290 x 975 x 1650 mm

TECHNICAL DRAWINGS & DIMENSIONS



*measurements in diagrams are in mm

OMCAN INC.

Telephone: 1-800-465-0234
 Fax: (905) 607-0234
 Email: sales@omcan.com
 Website: www.omcan.com



Follow us to keep up to date with the latest news and offers



2017E&OE