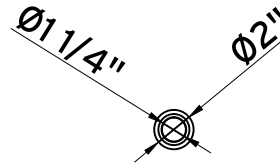
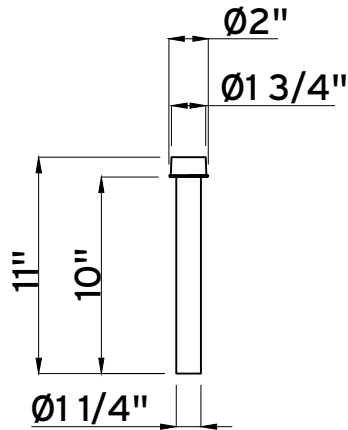


Front Elevation

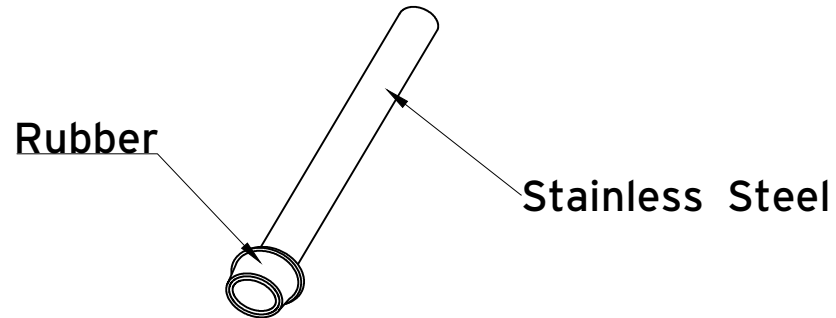


Side View

● 25 Ga. Stainless Steel Construction.



Plan View



Isometric

Drawn For :	Mat.	Top : 25 Ga. S/S. Base : S.S	Date	Revisions	<i>Reliant™</i>
Ref. No :	Req'd/item :				
Item Name : 10" Overflow Pipe	Date : Oct/ 04/ 2018				
Prod. No. : EQU-REL-OVERFLOW	By :				
Scale: 1/2" =1'-0"	Checked By :				