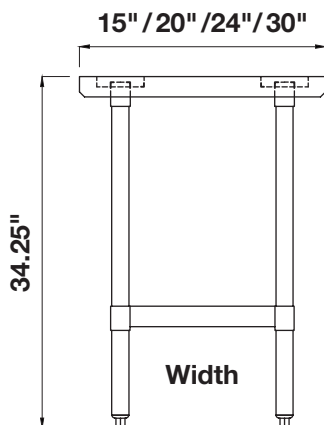
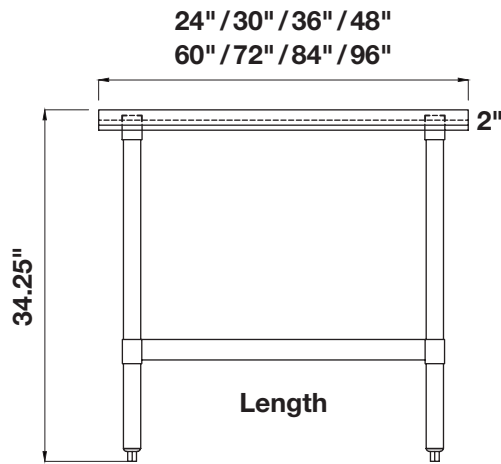


## Heavy-Duty Work Tables

Stainless Steel, Available in Eight Widths and Four Depths



- Polished 430 18-gauge stainless steel dent resistant top.
- Thick gauge galvanized steel undershelf with welded gussets and height adjustable corners.
- Four 1.5" thick welded gussets on each corner.
- 1.5" galvanized steel legs with 1" adjustable bullet feet. Also fits 3.5" heavy duty casters (not included).
- 84" and above have 6 legs.
- Hand-formed and hand-welded.
- NSF approved.
- Choose from 4 widths: 15" / 20" / 24" / 30" and from 8 lengths: 24" / 30" / 36" / 48" / 60" / 72" / 84" / 96"



REL-T1524	15" x 24" Worktable
REL-T2024	20" x 24" Worktable
REL-T2424	24" x 24" Worktable
REL-T2430	24" x 30" Worktable
REL-T2436	24" x 36" Worktable
REL-T2448	24" x 48" Worktable
REL-T2460	24" x 60" Worktable
REL-T2472	24" x 72" Worktable
REL-T2484	24" x 84" Worktable
REL-T2496	24" x 96" Worktable
REL-T3030	30" x 30" Worktable
REL-T3036	30" x 36" Worktable
REL-T3048	30" x 48" Worktable
REL-T3060	30" x 60" Worktable
REL-T3072	30" x 72" Worktable
REL-T3084	30" x 84" Worktable
REL-T3096	30" x 96" Worktable

Specifications subject to change without notice.

For complete information and specifications on all Reliant products, visit [www.paragondirect.ca](http://www.paragondirect.ca)