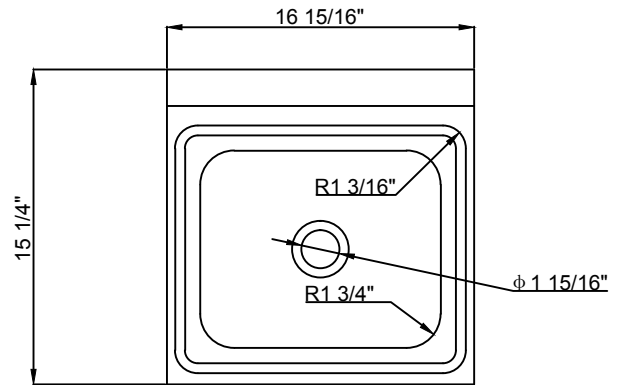


## Hand Sink

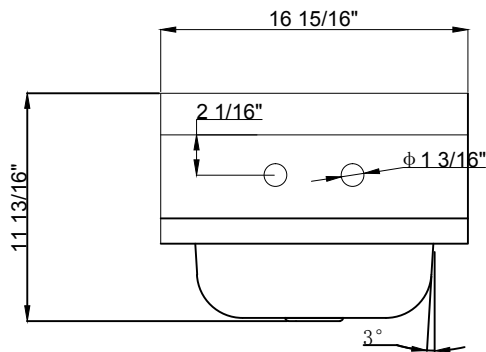
### Stainless Steel Wall Mount Hand Sink



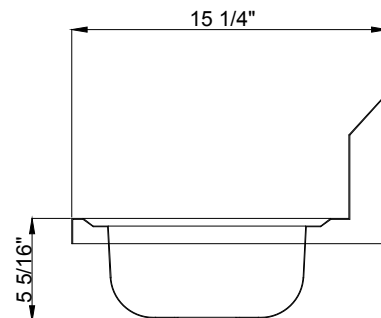
- Welded and polished 304 stainless steel
- 18 gauge stainless steel construction
- Hand formed and hand welded
- Offset design wall mounting brackets
- Drain assembly included
- Faucet not included
- 1/2" IPS hot and cold water
- 1-1/2" IPS drain outlet
- NSF & CSA approved



**Plan View**



**Front Elevation**



**Side View**

Specifications subject to change without notice.

For complete information and specifications on all Reliant products, visit [www.paragondirect.ca](http://www.paragondirect.ca)