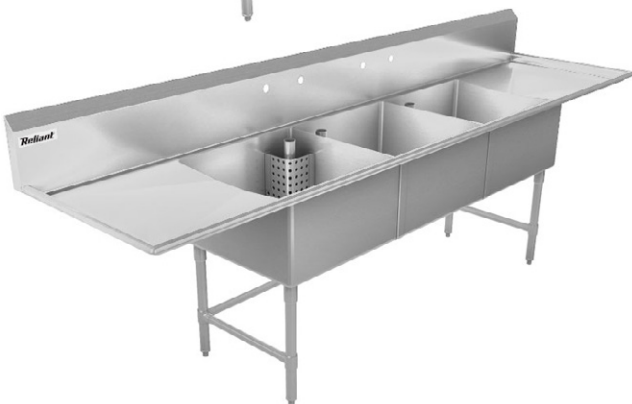


Stainless Steel Sinks Three Compartment, Optional Drainboard Configurations



- High quality stainless steel finish
- Coved corners
- Hand formed and hand welded
- Recessed 3-1/2" corner drain comes standard
- Supplied with stainless steel wall bracket
- 1-1/2" galvanized tubular legs with adjustable ABS bullet feet
- 18 gauge, 200 series stainless steel
- NSF & CSA approved



REL-181811-3NDB	- 3 Compartment (18"x18"x12") - No Drainboard
REL-2121-3NDB	- 3 Compartment (21"x21"x12") - No Drainboard
REL-242411-3NDB	- 3 Compartment (24"x24"x12") - No Drainboard
REL-18183-L18	- 3 Compartment (18"x18"x12") - 18" Left Drainboard
REL-18183-R18	- 3 Compartment (18"x18"x12") - 18" Right Drainboard
REL-18183-2DB	- 3 Compartment (18"x18"x12") - 18" Left & Right Drainboard

Specifications subject to change without notice.

**Refer to the following pages
for drawings and dimensions**

Stainless Steel Sinks
Three Compartments,
No Drainboards

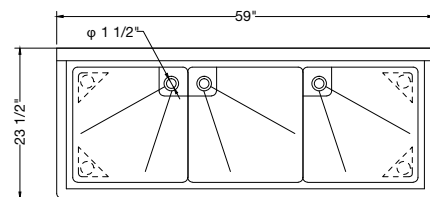
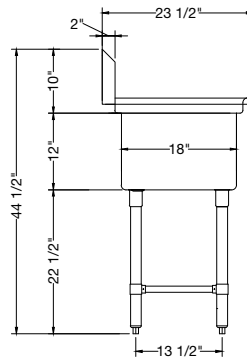
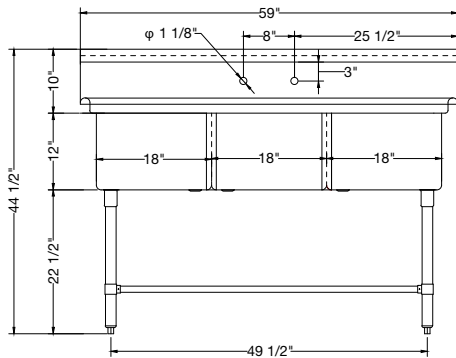
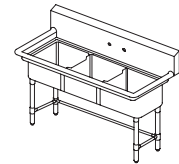


- High quality stainless steel finish
- Coved corners
- Hand formed and hand welded
- Recessed 3-1/2" corner drain comes standard with all models
- Supplied with stainless steel wall bracket

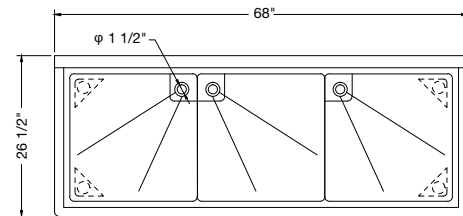
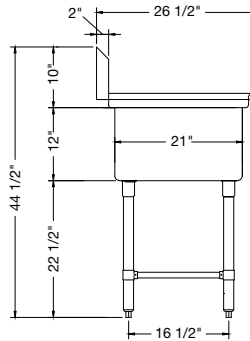
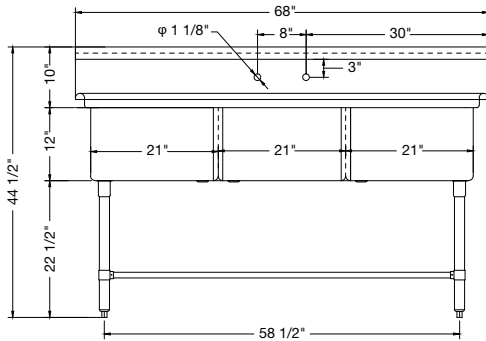
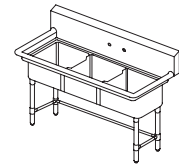
- 1-1/2" galvanized tubular legs with adjustable ABS bullet feet
- 18 gauge, 200 series stainless steel
- NSF & CSA approved



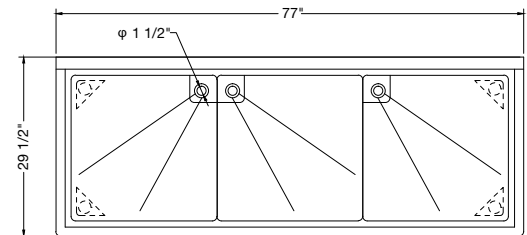
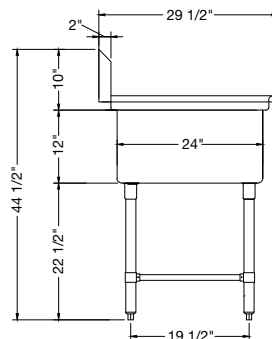
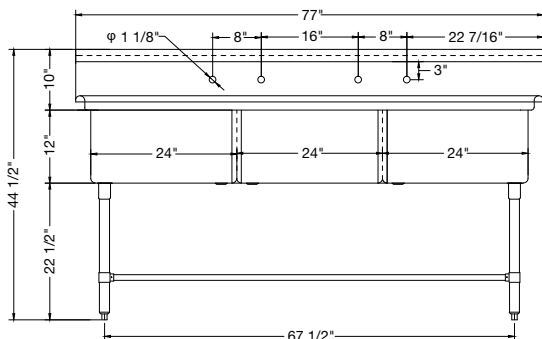
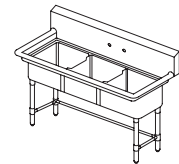
REL-181811-3NDB / Bowl Size: 18"x18"x12" / No Drainboard



REL-2121-3NDB / Bowl Size: 21"x21"x12" / No Drainboard



REL-242411-3NDB / Bowl Size: 24"x24"x12" / No Drainboard



For complete information and specifications on all Reliant products, visit www.paragondirect.ca

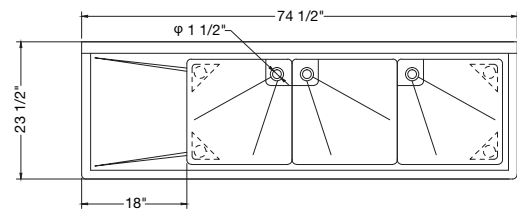
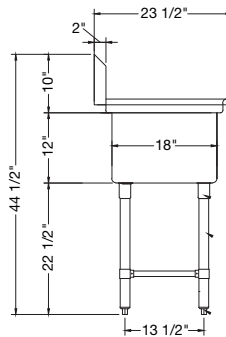
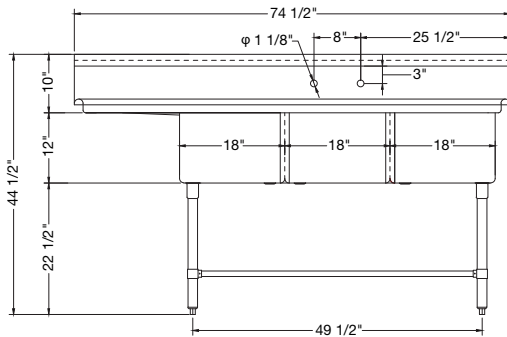
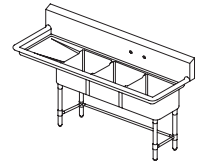
Stainless Steel Sinks
Three Compartments,
Single & Double Drainboards

- High quality stainless steel finish
- Coved corners
- Hand formed and hand welded
- Recessed 3-1/2" corner drain comes standard with all models
- Supplied with stainless steel wall bracket

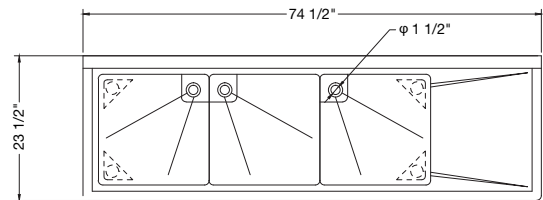
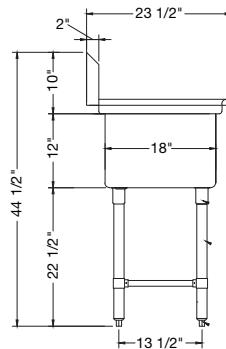
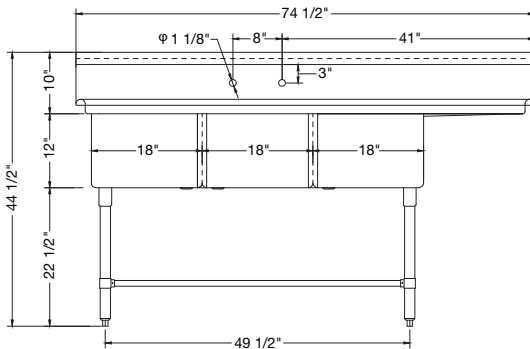
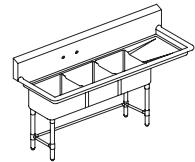
- 1-1/2" galvanized tubular legs with adjustable ABS bullet feet
- 18 gauge, 200 series stainless steel
- NSF & CSA approved



REL-18183-L18 / Bowl Size: 18"x18"x12" / 18" Left Drainboard



REL-18183-R18 / Bowl Size: 18"x18"x12" / 18" Right Drainboard



REL-18183-2DB / Bowl Size: 18"x18"x12" / 18" Left & Right Drainboards

