

## Equipment Stands Stainless Steel, 30" Depth and Various Widths

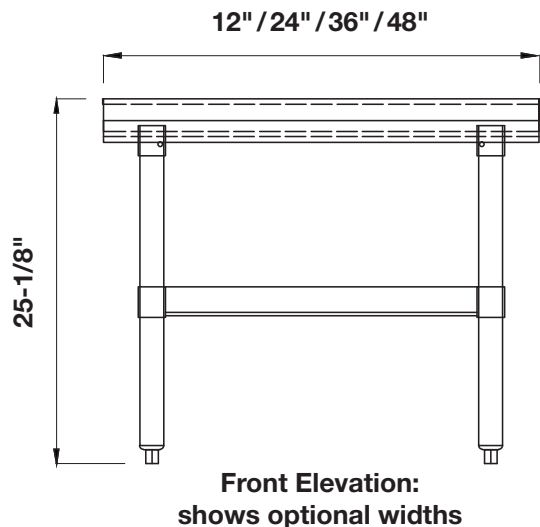
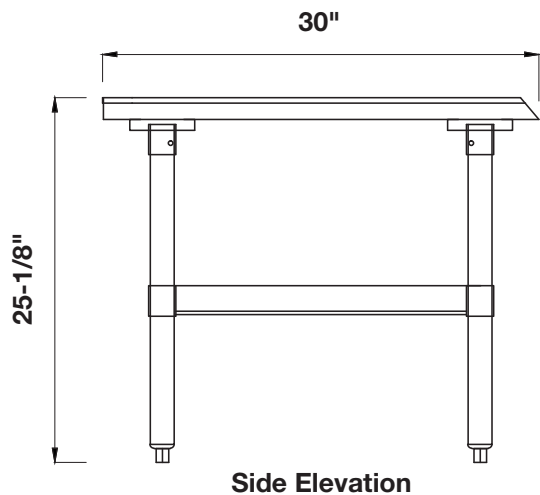


- All stainless steel construction
- Heavy-duty 18-gauge polished stainless steel with 2.5" side splashes on back and side edges.
- Designed and sized to accommodate most commercial countertop equipment
- Thick gauge galvanized steel undershelf with welded gussets and height adjustable corners.
- 1.5" stainless steel or galvanized legs with 1" adjustable bullet feet. Also fits 3.5" heavy duty casters.
- NSF approved



<b>REL-ES3012</b>	30"Dx 12"W Equipment Stand
<b>REL-ES3024</b>	30"Dx 24"W Equipment Stand
<b>REL-ES3036</b>	30"Dx 36"W Equipment Stand
<b>REL-ES3048</b>	30"Dx 48"W Equipment Stand

Specifications subject to change without notice.



For complete information and specifications on all Reliant products, visit [www.paragondirect.ca](http://www.paragondirect.ca)